

PEM S-632-1
2 PLACES

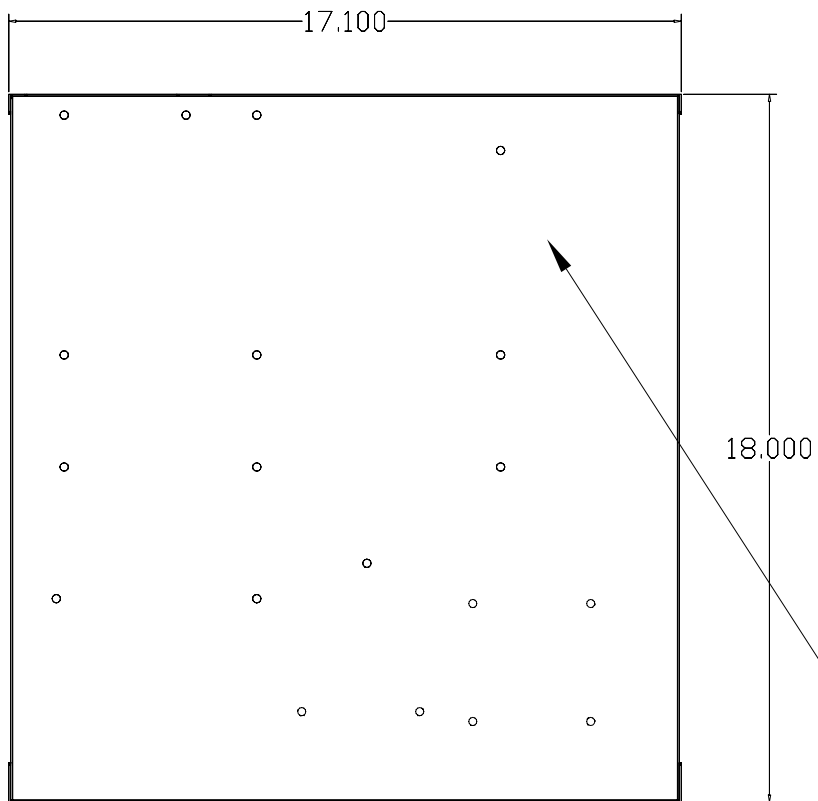
PEM S-032-1
2 PLACES

NOTE 1: DIMENSIONS ARE INCHES +/- .010 AND DEGREES
+/- 1/2 DEGREE (UNLESS OTHERWISE NOTED).

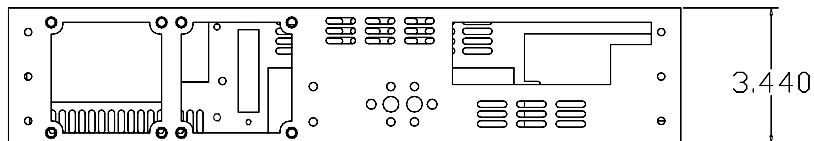
NOTE 2: REMOVE ALL BURRS, SHARP CORNERS AND EDGES.

NOTE 3: PLEASE ADVISE CONCERNING STANDARD TOOLING OPTIONS
BEFORE BEGINNING PROGRAMMING AND FABRICATION.

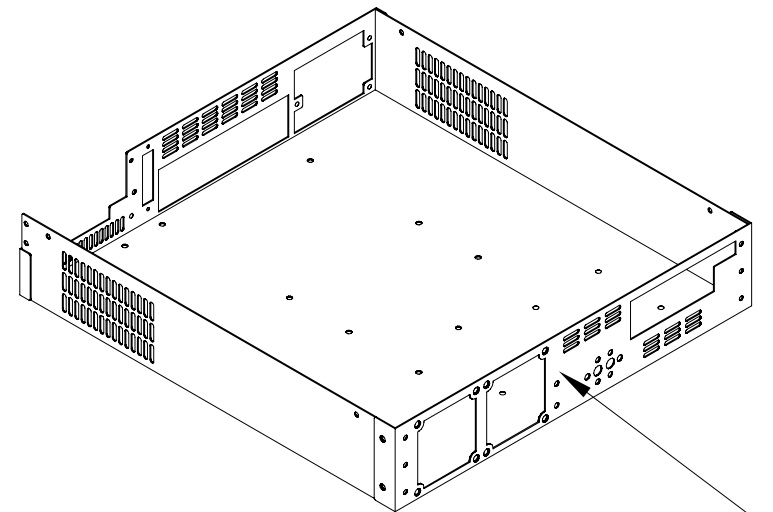
EVERSYS CORPORATION BILL GRACE (415) 898 - 8818 EXT. 543	
PART NUMBER: 17-302101	REV. F
SHEET 8 OF 9	JUNE 2, 2000
2240 RACK MOUNT SERVER CHASSIS HARDWARE INSERTION	
MATERIAL: .047 STEEL E-GAL	FINISH: POWDER COAT



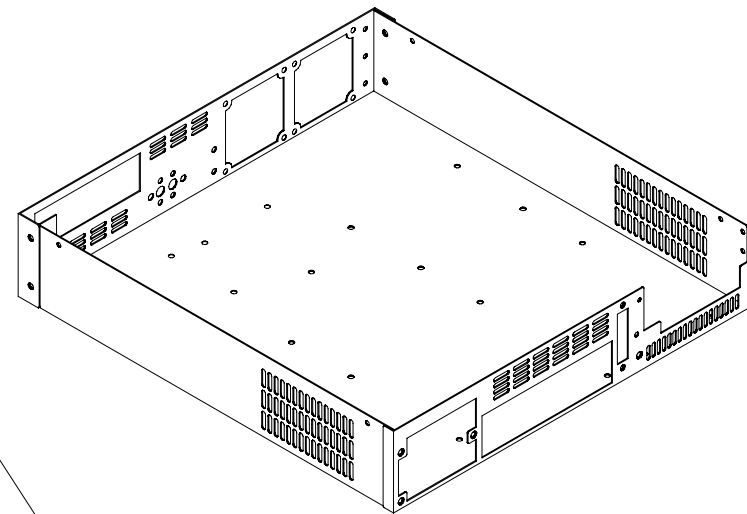
TOP VIEW



FRONT VIEW



FRONT SIDE



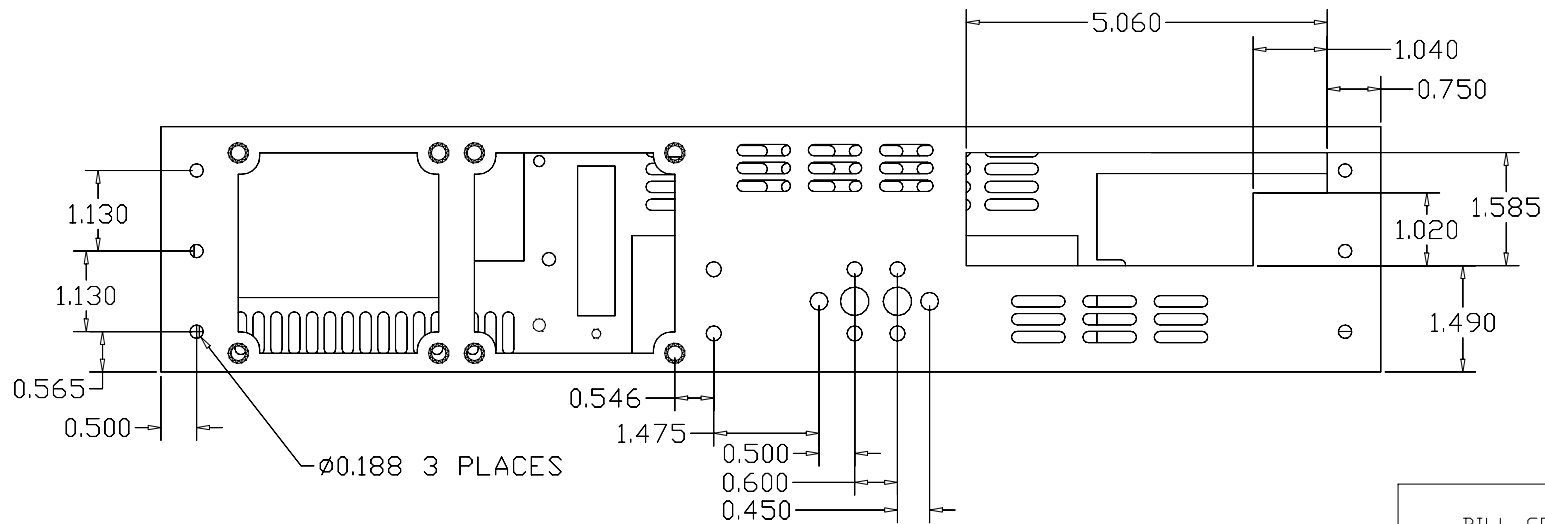
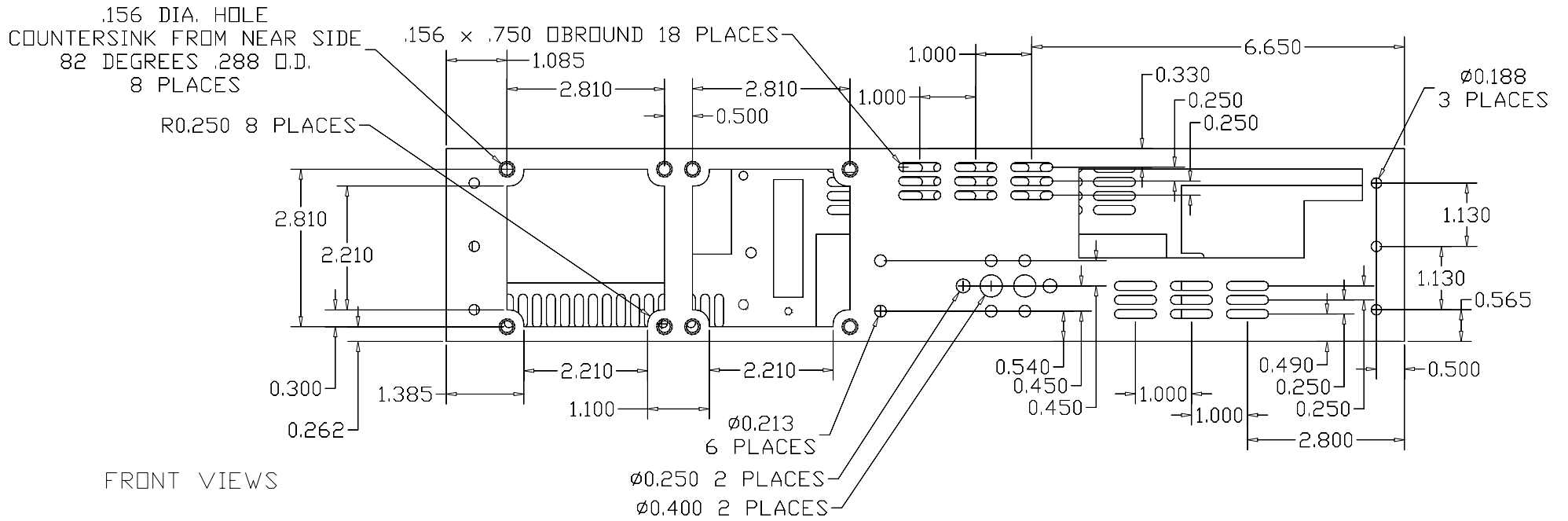
PERMANENT PART MARKING
ON THIS SURFACE, NEAR SIDE,
INCLUDING PART #,
REVISION AND VENDOR CODE

NOTE 1: DIMENSIONS ARE INCHES +/- .010 AND DEGREES
+/- 1/2 DEGREE (UNLESS OTHERWISE NOTED).

NOTE 2: REMOVE ALL BURRS, SHARP CORNERS AND EDGES.

NOTE 3: PLEASE ADVISE CONCERNING STANDARD TOOLING OPTIONS
BEFORE BEGINNING PROGRAMMING AND FABRICATION.

EVERSYS CORPORATION BILL GRACE (415) 898 - 8818 EXT. 543	
PART NUMBER: 17-302101	REV. F
SHEET 1 OF 9	JUNE 2, 2000
2240 RACK MOUNT SERVER CHASSIS SHEET METAL FABRICATION	
MATERIAL: .047 STEEL E-GAL	FINISH: POWDER COAT



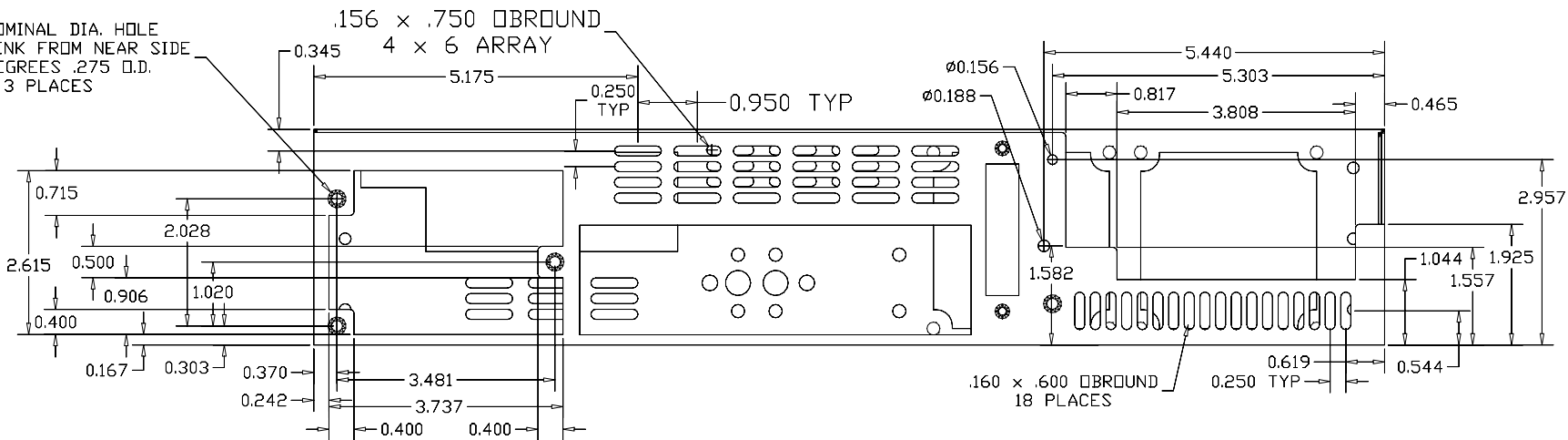
NOTE 1: DIMENSIONS ARE INCHES +/- .010 AND DEGREES
+/- 1/2 DEGREE (UNLESS OTHERWISE NOTED).

NOTE 2: REMOVE ALL BURRS, SHARP CORNERS AND EDGES.

NOTE 3: PLEASE ADVISE CONCERNING STANDARD TOOLING OPTIONS
BEFORE BEGINNING PROGRAMMING AND FABRICATION.

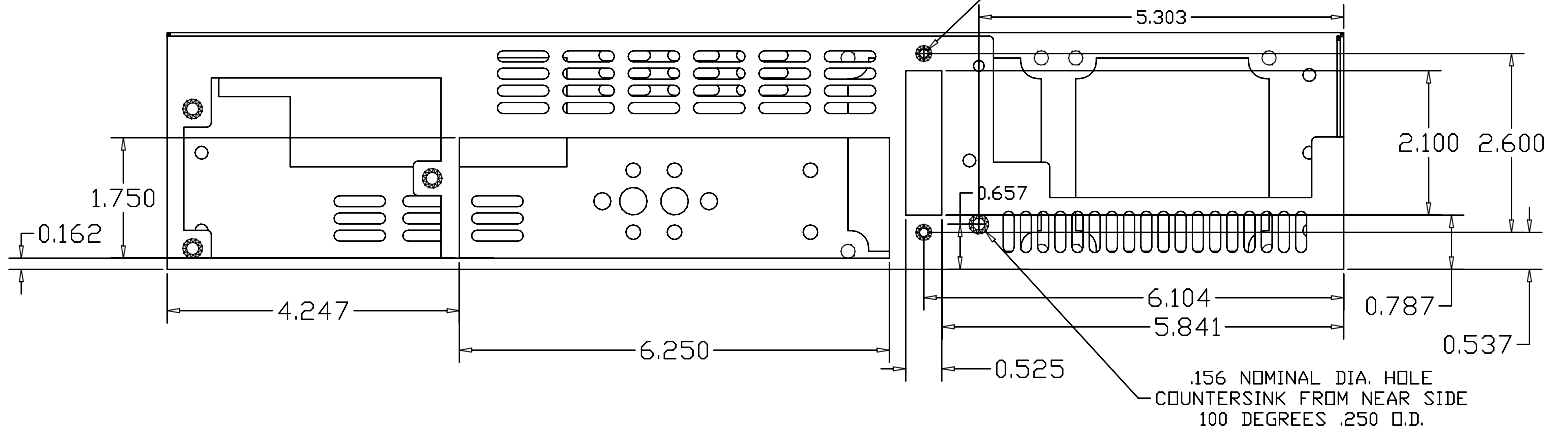
EVERSYS CORPORATION BILL GRACE (415) 898 - 8818 EXT. 543	
PART NUMBER: 17-302101	REV. F
SHEET 2 OF 9	JUNE 2, 2000
2240 RACK MOUNT SERVER CHASSIS SHEET METAL FABRICATION	
MATERIAL: .047 STEEL E-GAL	FINISH: POWDER COAT

.156 NOMINAL DIA. HOLE
COUNTERSINK FROM NEAR SIDE
100 DEGREES .275 D.D.
3 PLACES



REAR VIEWS

.130 NOMINAL DIA. HOLE
COUNTERSINK FROM NEAR SIDE
100 DEGREES .225 D.D.
2 PLACES



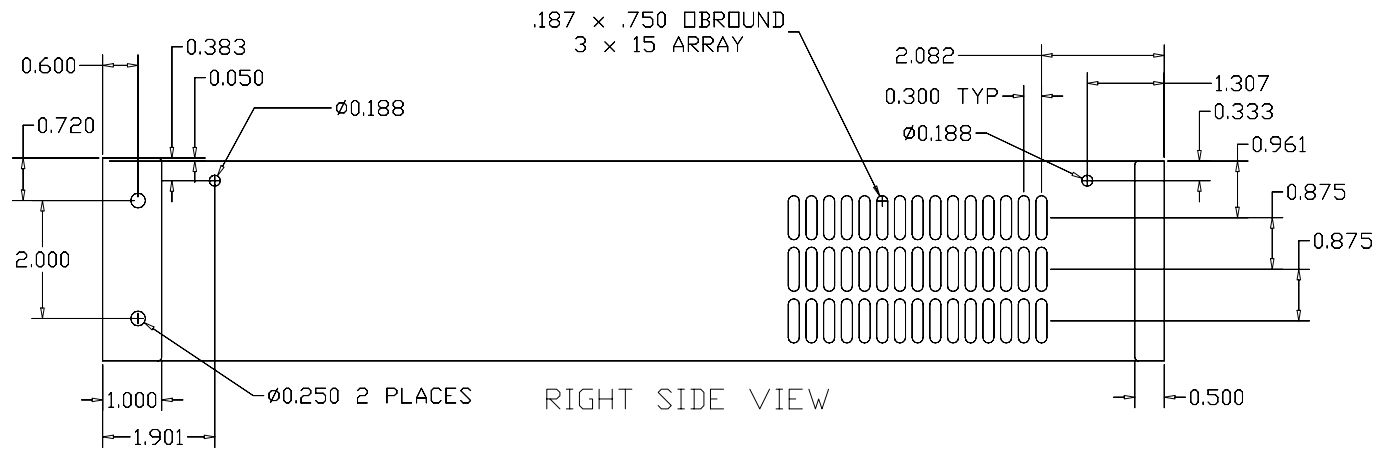
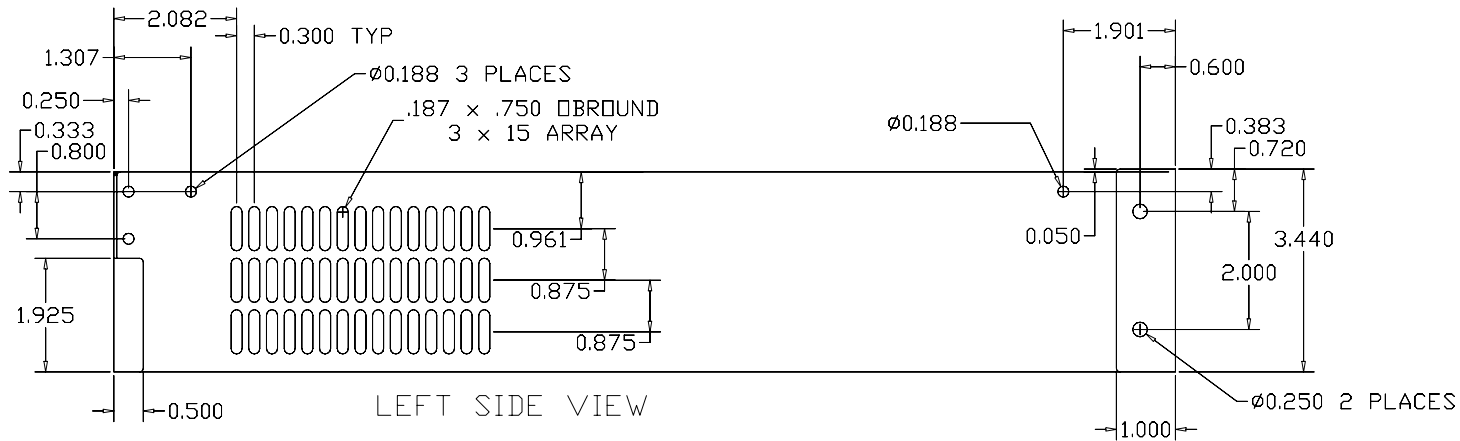
.156 NOMINAL DIA. HOLE
COUNTERSINK FROM NEAR SIDE
100 DEGREES .250 D.D.

NOTE 1: DIMENSIONS ARE INCHES +/- .010 AND DEGREES
+/- 1/2 DEGREE (UNLESS OTHERWISE NOTED).

NOTE 2: REMOVE ALL BURRS, SHARP CORNERS AND EDGES.

NOTE 3: PLEASE ADVISE CONCERNING STANDARD TOOLING OPTIONS
BEFORE BEGINNING PROGRAMMING AND FABRICATION.

EVERSYS CORPORATION BILL GRACE (415) 898 - 8818 EXT. 543	
PART NUMBER: 17-302101	REV. F
SHEET 3 OF 9	JUNE 2, 2000
2240 RACK MOUNT SERVER CHASSIS SHEET METAL FABRICATION	
MATERIAL: .047 STEEL E-GAL	FINISH: POWDER COAT

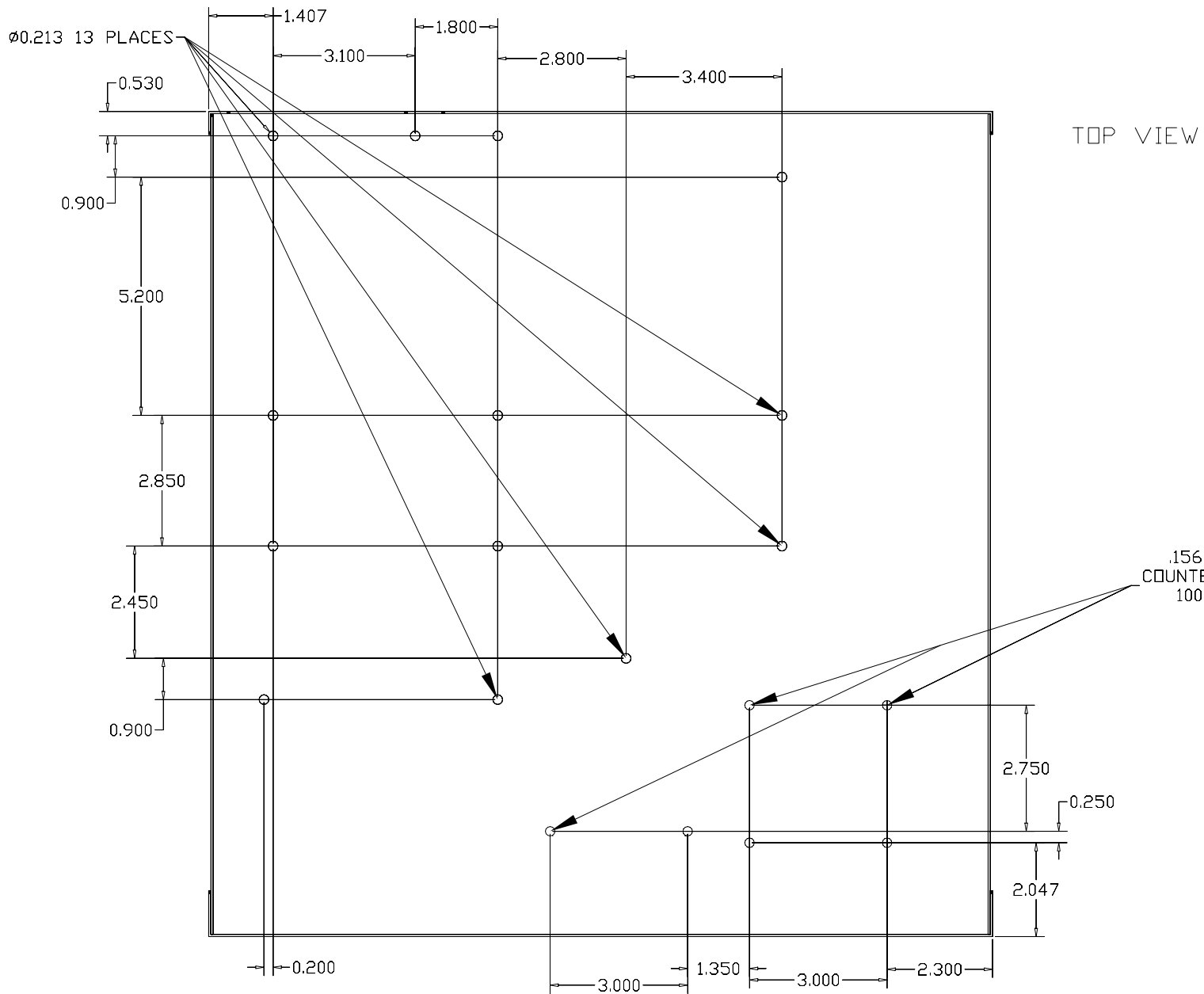


NOTE 1: DIMENSIONS ARE INCHES +/- .010 AND DEGREES
 +/- 1/2 DEGREE (UNLESS OTHERWISE NOTED).

NOTE 2: REMOVE ALL BURRS, SHARP CORNERS AND EDGES.

NOTE 3: PLEASE ADVISE CONCERNING STANDARD TOOLING OPTIONS
 BEFORE BEGINNING PROGRAMMING AND FABRICATION.

EVERSYS CORPORATION BILL GRACE (415) 898 - 8818 EXT. 543	
PART NUMBER: 17-302101	REV. F
SHEET 4 OF 9	JUNE 2, 2000
2240 RACK MOUNT SERVER CHASSIS SHEET METAL FABRICATION	
MATERIAL: .047 STEEL E-GAL	FINISH: POWDER COAT



.156 NOMINAL DIA. HOLE
 COUNTERSINK FROM FAR SIDE
 100 DEGREES .275 O.D.
 6 PLACES

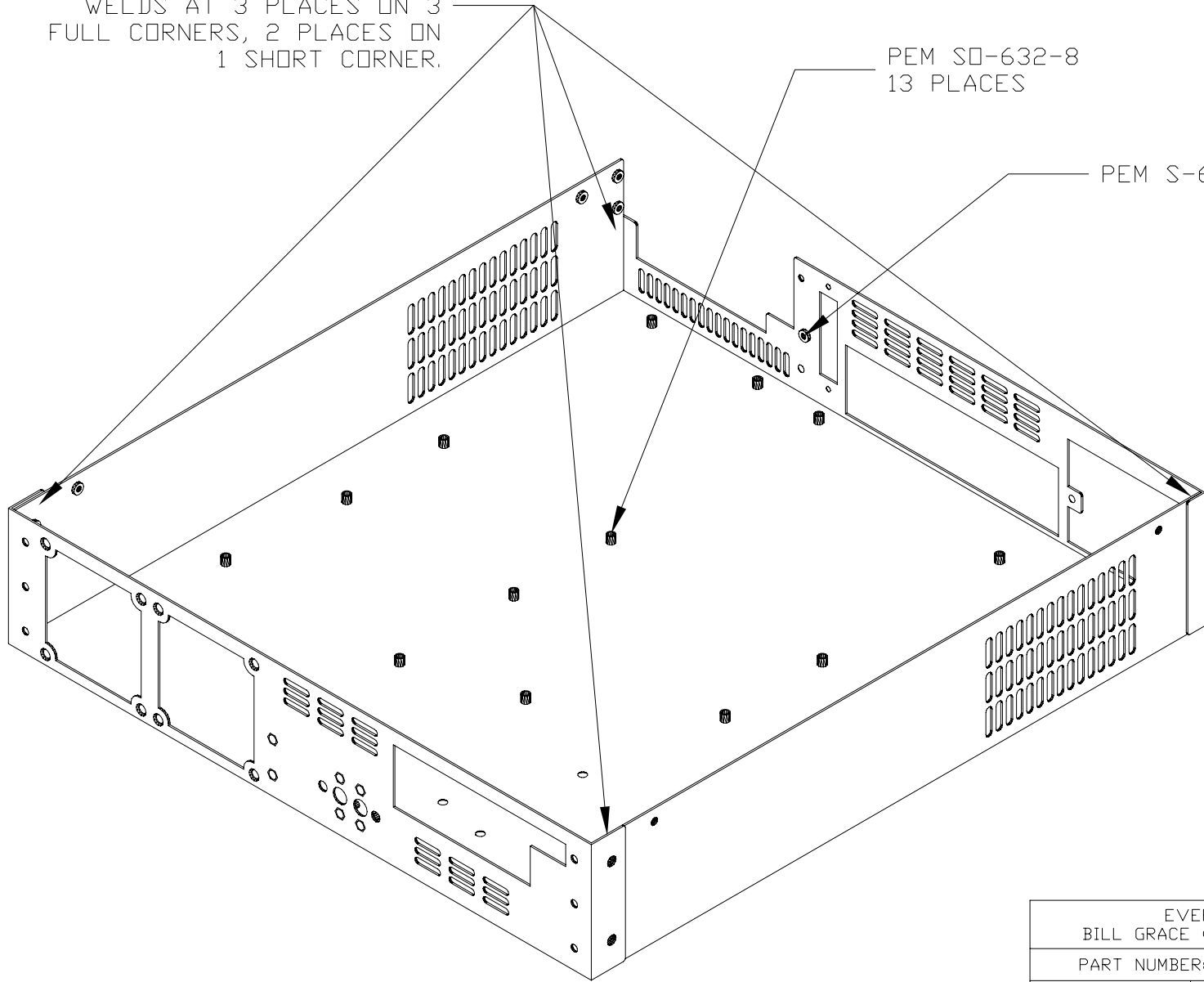
NOTE 1: DIMENSIONS ARE INCHES +/- .010 AND DEGREES
 +/- 1/2 DEGREE (UNLESS OTHERWISE NOTED).
 NOTE 2: REMOVE ALL BURRS, SHARP CORNERS AND EDGES.
 NOTE 3: PLEASE ADVISE CONCERNING STANDARD TOOLING OPTIONS
 BEFORE BEGINNING PROGRAMMING AND FABRICATION.

EVERSYS CORPORATION BILL GRACE (415) 898 - 8818 EXT. 543	
PART NUMBER: 17-302101	REV. F
SHEET 5 OF 9	JUNE 2, 2000
2240 RACK MOUNT SERVER CHASSIS SHEET METAL FABRICATION	
MATERIAL: .047 STEEL E-GAL	FINISH: POWDER COAT

SPOTWELD FOUR CORNERS
OF CHASSIS USING .125 DIA.
WELDS AT 3 PLACES ON 3
FULL CORNERS, 2 PLACES ON
1 SHORT CORNER.

PEM SD-632-8
13 PLACES

PEM S-632-1

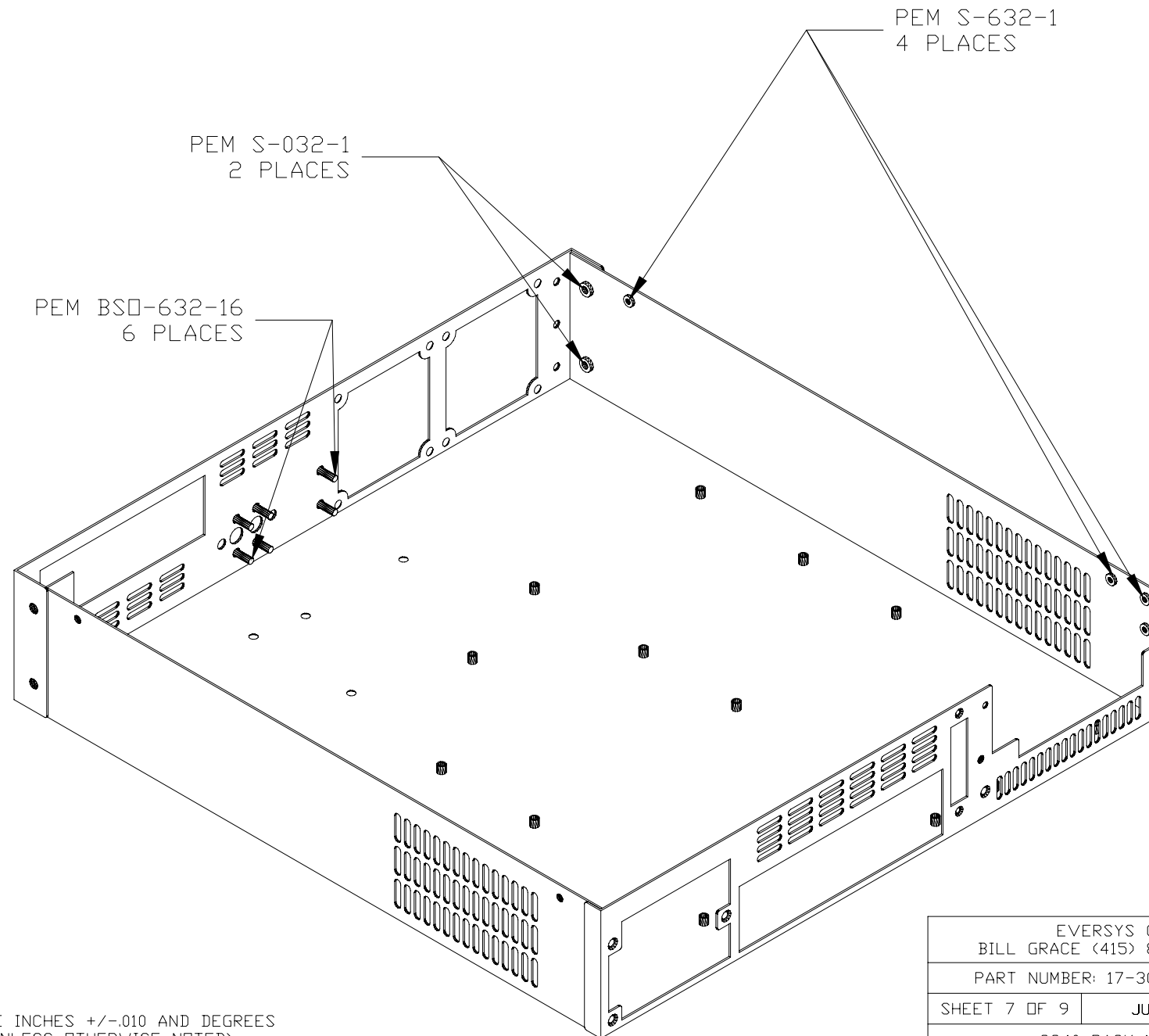


NOTE 1: DIMENSIONS ARE INCHES +/- .010 AND DEGREES
+/- 1/2 DEGREE (UNLESS OTHERWISE NOTED).

NOTE 2: REMOVE ALL BURRS, SHARP CORNERS AND EDGES.

NOTE 3: PLEASE ADVISE CONCERNING STANDARD TOOLING OPTIONS
BEFORE BEGINNING PROGRAMMING AND FABRICATION.

EVERSYS CORPORATION BILL GRACE (415) 898 - 8818 EXT. 543	
PART NUMBER: 17-302101	REV. F
SHEET 6 OF 9	JUNE 2, 2000
2240 RACK MOUNT SERVER CHASSIS HARDWARE INSERTION	
MATERIAL: .047 STEEL E-GAL	FINISH: POWDER COAT



NOTE 1: DIMENSIONS ARE INCHES +/- .010 AND DEGREES
 +/- 1/2 DEGREE (UNLESS OTHERWISE NOTED).

NOTE 2: REMOVE ALL BURRS, SHARP CORNERS AND EDGES.

NOTE 3: PLEASE ADVISE CONCERNING STANDARD TOOLING OPTIONS
 BEFORE BEGINNING PROGRAMMING AND FABRICATION.

EVERSYS CORPORATION BILL GRACE (415) 898 - 8818 EXT. 543	
PART NUMBER: 17-302101	REV. F
SHEET 7 OF 9	JUNE 2, 2000
2240 RACK MOUNT SERVER CHASSIS HARDWARE INSERTION	
MATERIAL: .047 STEEL E-GAL	FINISH: POWDER COAT

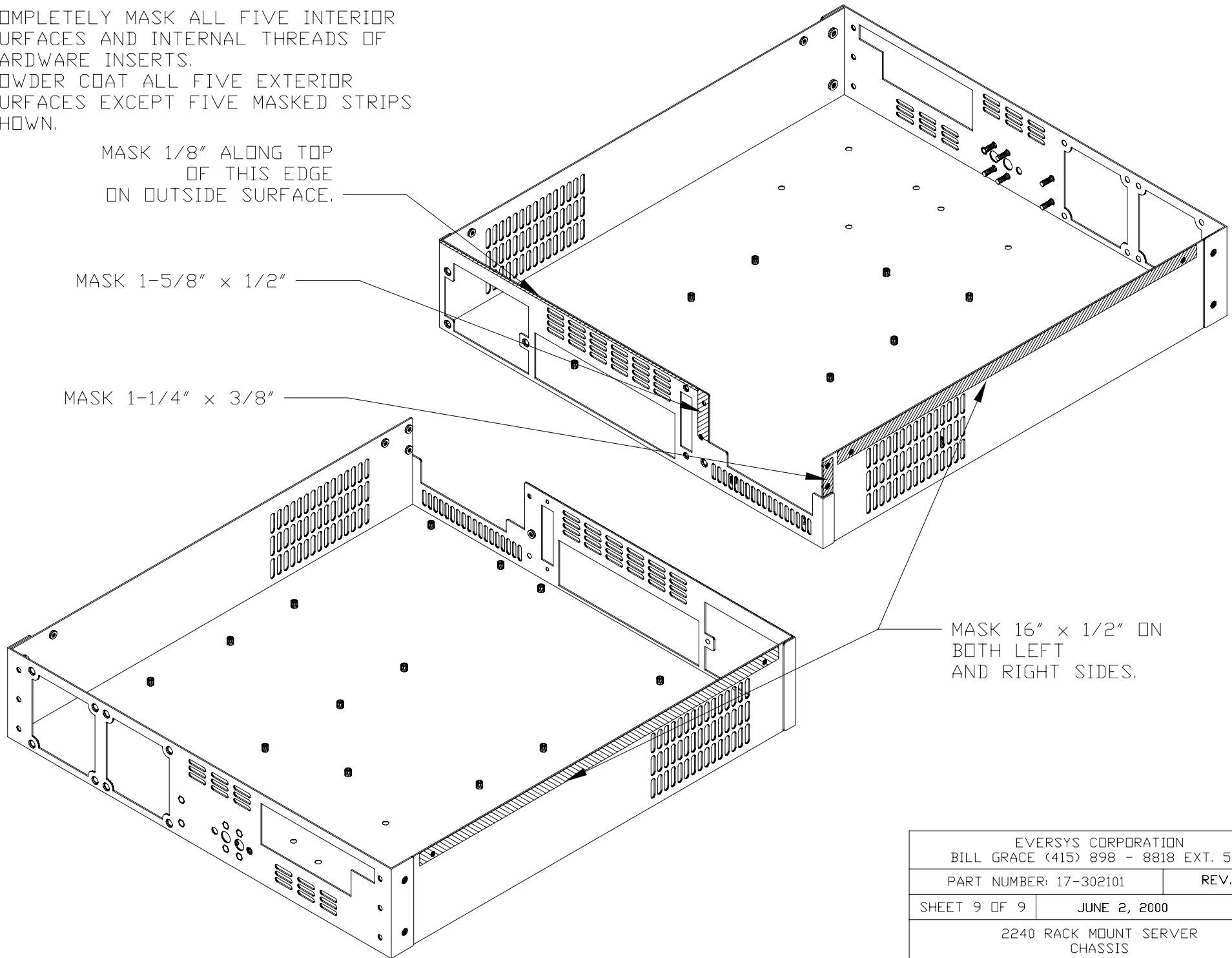
COMPLETELY MASK ALL FIVE INTERIOR SURFACES AND INTERNAL THREADS OF HARDWARE INSERTS.
 POWDER COAT ALL FIVE EXTERIOR SURFACES EXCEPT FIVE MASKED STRIPS SHOWN.

MASK 1/8" ALONG TOP OF THIS EDGE ON OUTSIDE SURFACE.

MASK 1-5/8" x 1/2"

MASK 1-1/4" x 3/8"

MASK 16" x 1/2" ON BOTH LEFT AND RIGHT SIDES.



POWDER COAT COLOR/TEXTURE IS BK01.

EVERSYS CORPORATION BILL GRACE (415) 898 - 8818 EXT. 543	
PART NUMBER: 17-302101	REV. F
SHEET 9 OF 9	JUNE 2, 2000
2240 RACK MOUNT SERVER CHASSIS POWDER COAT MASKING	
MATERIAL: .047 STEEL E-GAL	FINISH: POWDER COAT